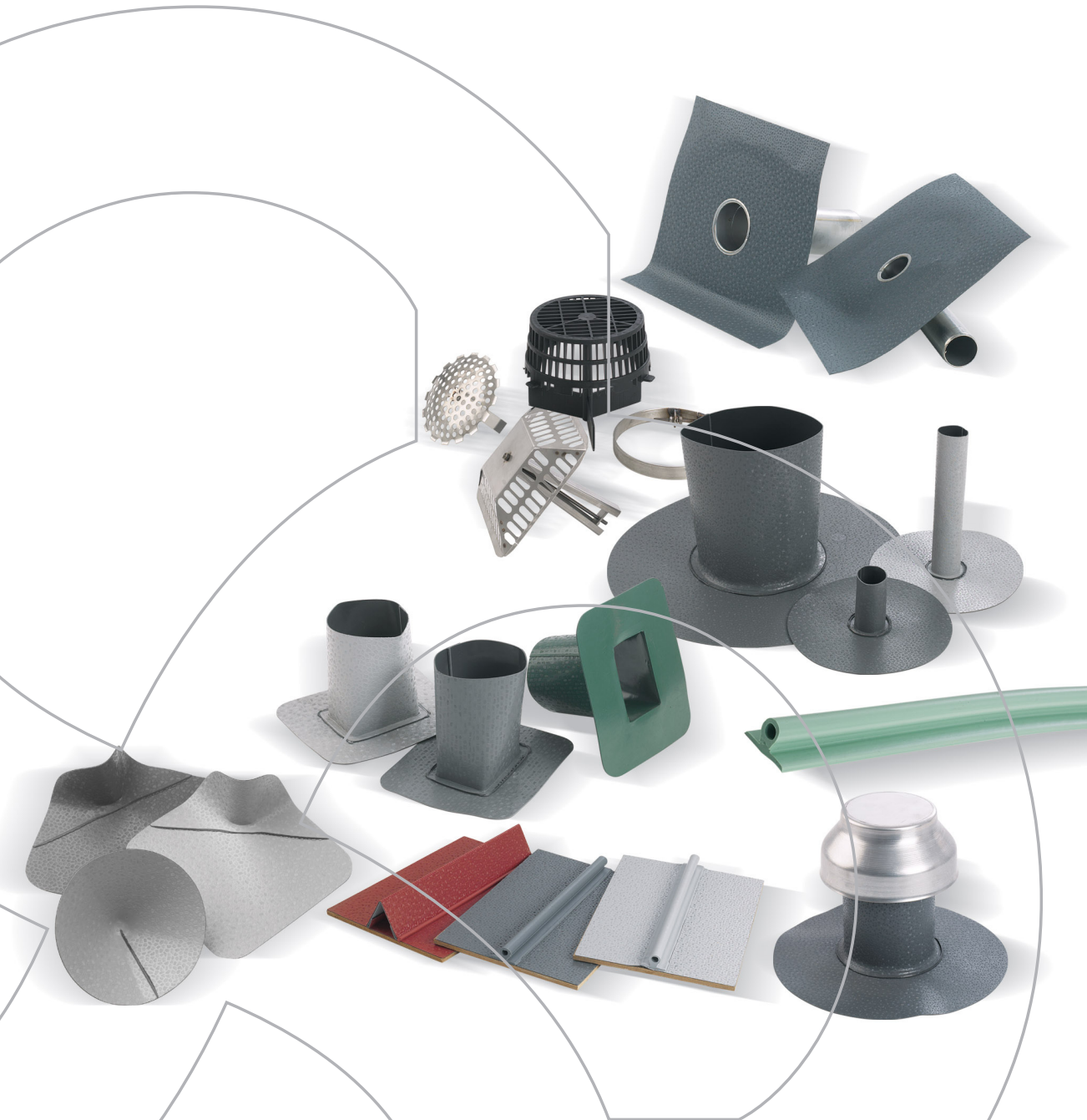




Protecting values



Appendix

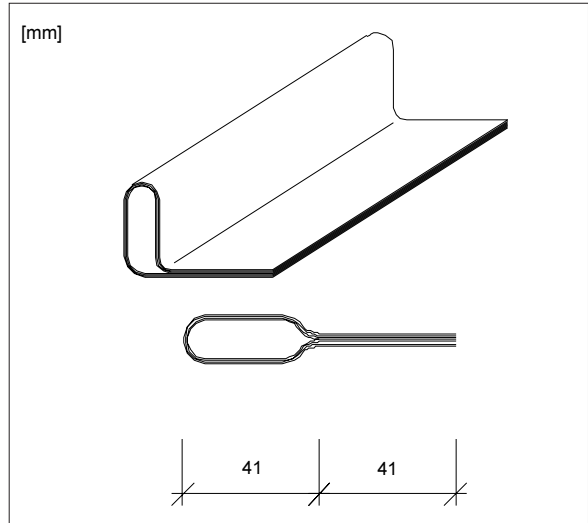
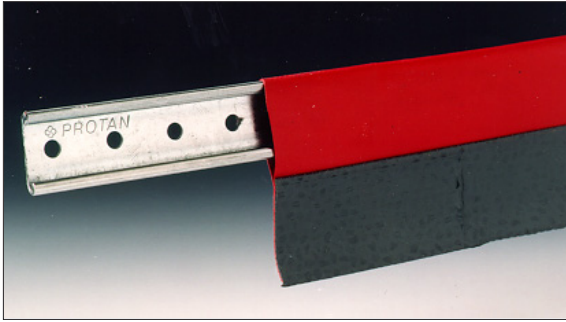
Protan Price List

*For further details and information about the products, please contact Protan Export Department
December 2006*

Protan Roofing Membrane for Parapets

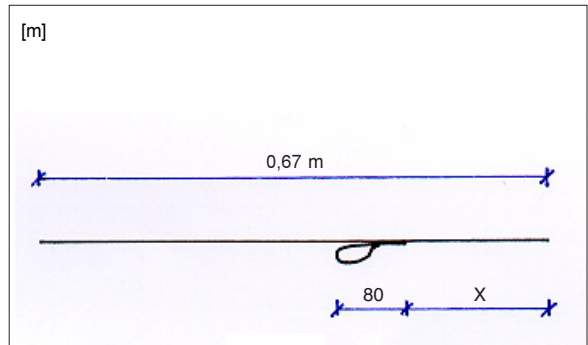
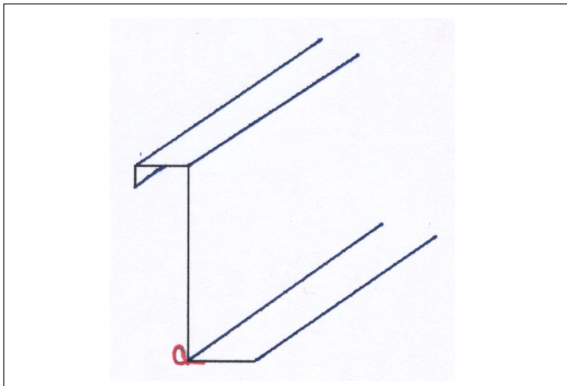
1.0 Protan Loose Pocket

Application area: Fastening parapet
 Dimensions: L = 19.8 m



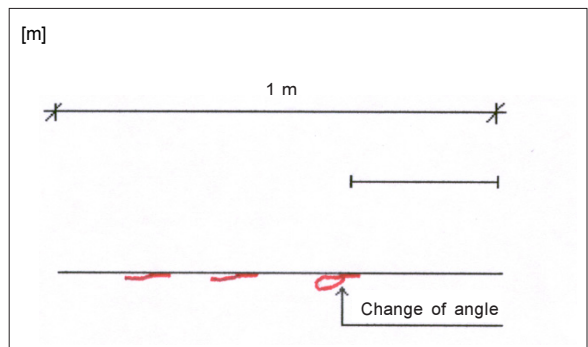
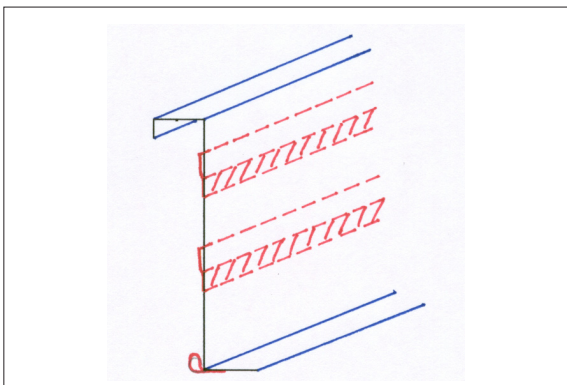
1.1 Protan Roofing Membrane for Parapets

Application area: Fastening parapet
 Dimensions: 0.67 m x 4.10 m w/1 pocket



1.2 Protan Roofing Membrane for Parapets

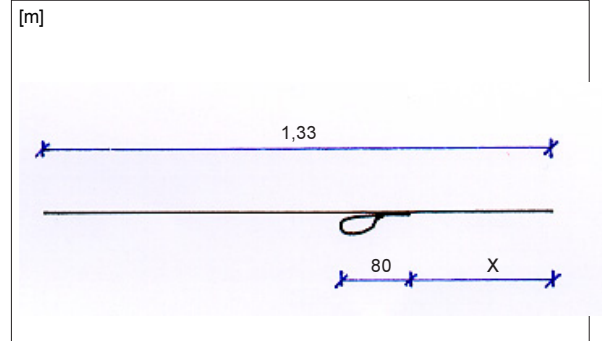
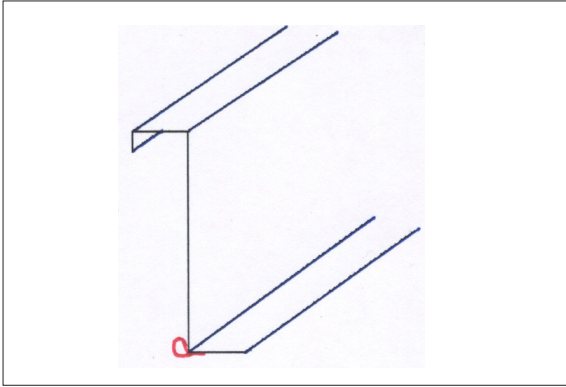
Application area: Fastening parapet
 Dimensions: 1 m x 4.10 m w/1 pocket +1 strip



1.3 Protan Roofing Membrane for Parapets

Application area: Fastening parapet

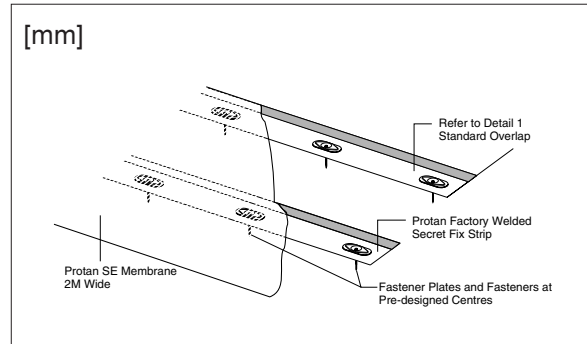
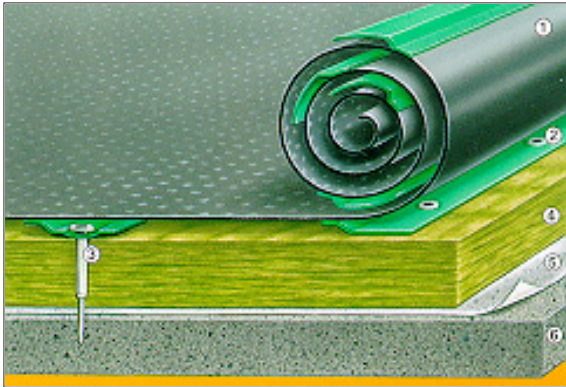
Dimensions: 1,33 m x 4.10 m w/1 pocket



Protan Secret Fix System

2.0 Protan Roofing Membrane with Secret Fix Strips

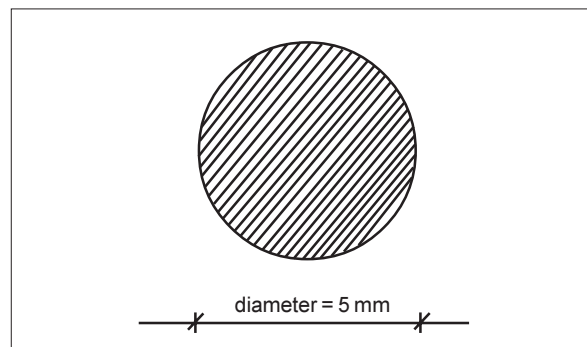
Application: Exposed membrane roofs etc.
 Dimensions: 2 x 15 m, strips centr. 40 cm up to 120 cm



Protan Welding Cord

3.0 Protan Welding Cord

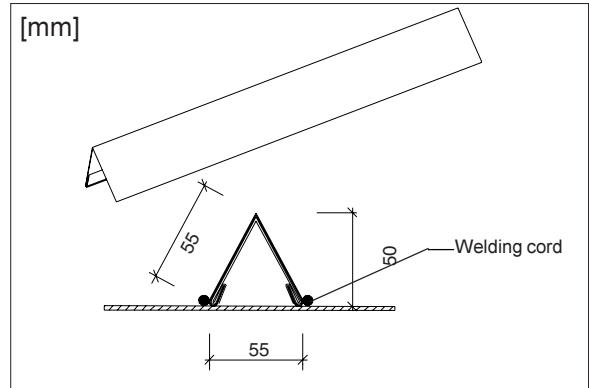
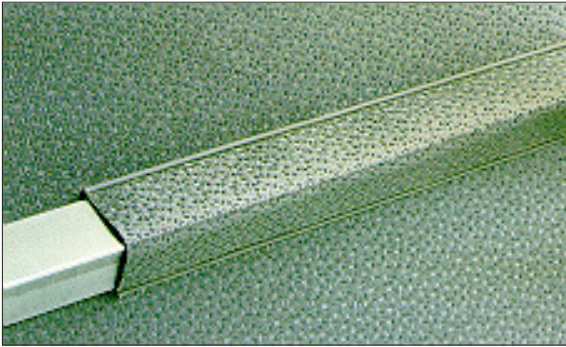
Application area: Terrace membranes, fastening parapets, Protan Triangle profile
 Dimensions: $\text{Ø} = 50 \text{ mm}$, $L = 70 \text{ m}$
 Colours: Light grey (F91), Dark grey (F94), Terrace green (F45), Red (F12)



Protan Triangle Profile

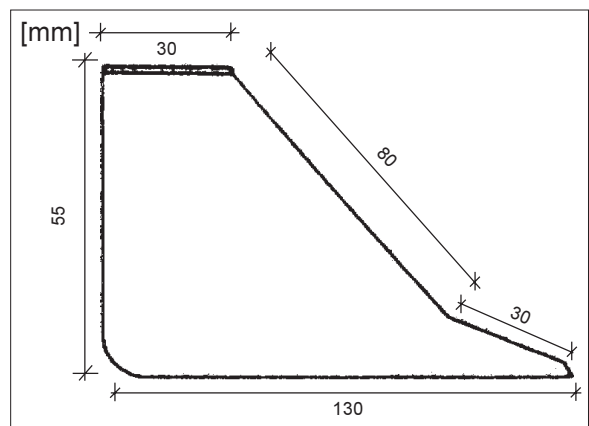
4.0 Protan Triangle Profile

Application area: Creates architectonic effects on roofs
 Dimensions: 2 m L, 1 mm thick aluminium



4.1 Prefabricated detail for Protan Triangle Profile

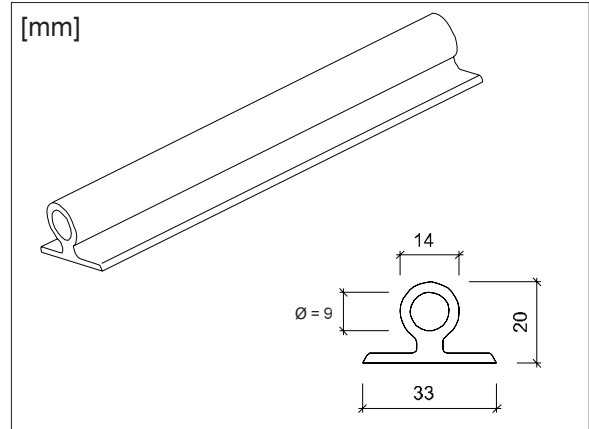
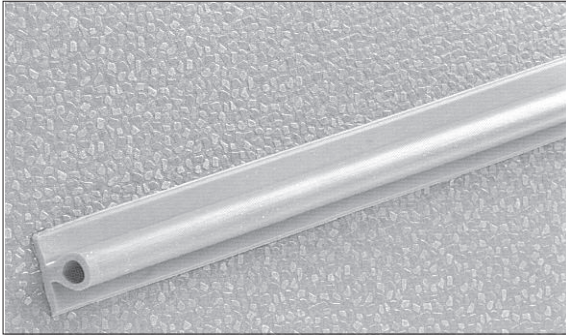
Application area: Covering end piece of Protan Triangle Profile
 Materials: Protan SE and Protan G



Protan Omega Profile

5.0 Protan Omega Profile

Application area: Creates architectonic effects on roofs
Dimensions: 4 metre lengths
Colours: Light grey (F91), Dark grey (F94), Copper green (F41), Red (F12), Black (F99)



Protan Bonding Adhesive 95

6.0 Protan Bonding Adhesive 95

Application area: Bonding Protan Roofing and Waterproofing Membranes to wood, metal, concrete etc.
Weight: Buckets (10 litre)

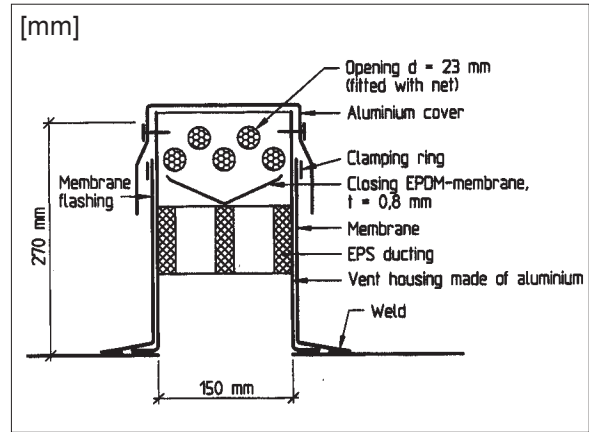


For more information please see Protan Bonding Adhesive 95 Datasheet

Protan Vacuum Roofing System

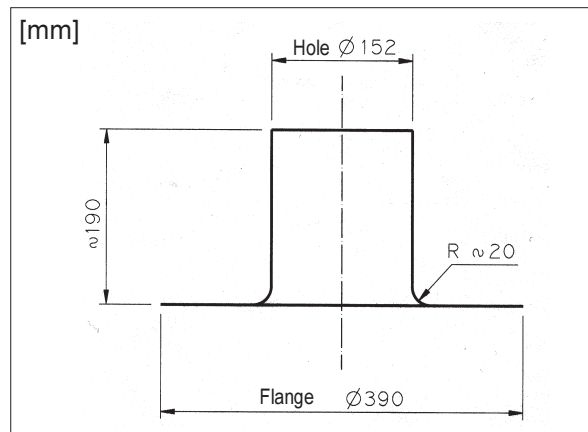
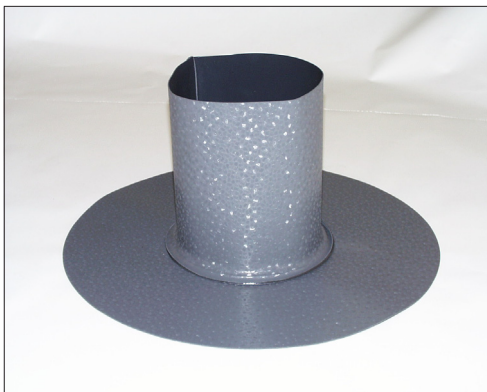
7.0 Vent

Application area: Vacuum Roof
 Materials: Aluminium
 Dimensions: $\varnothing = 150 \text{ mm}$, $h = 270 \text{ mm}$



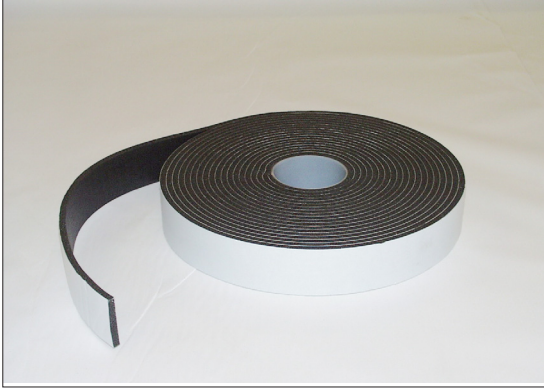
7.1 Prefabricated Protan Vent Detail

Application area: Vacuum Roof
 Materials: Protan G
 Dimensions: $\varnothing = 152 \text{ mm}$, $h = 190 \text{ mm}$



7.2 Protan Airsealing Band

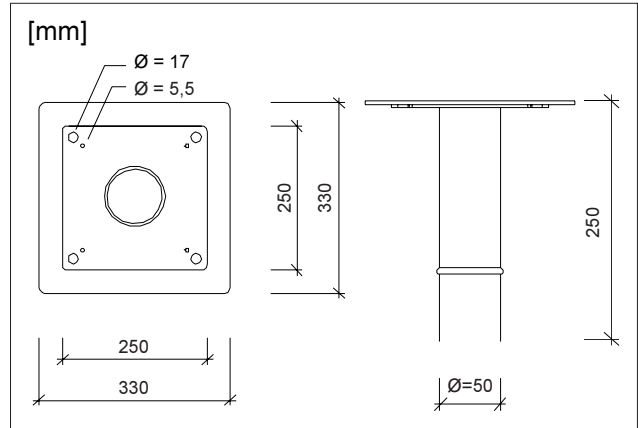
Application area: Vacuum Roof
Dimensions: 1 roll = 15 m
w = 40 mm, t = 6 mm



PVC-coated Rainwater Outlets

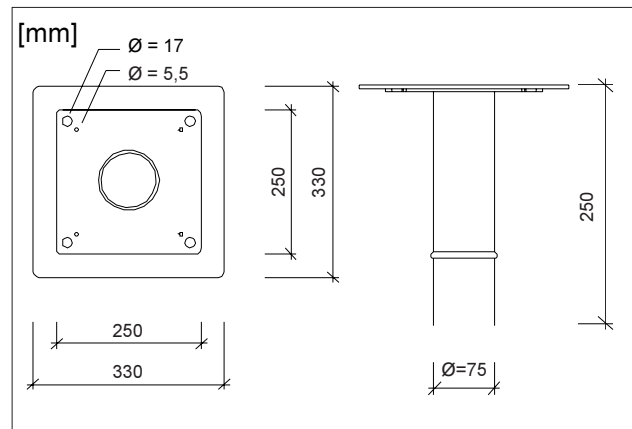
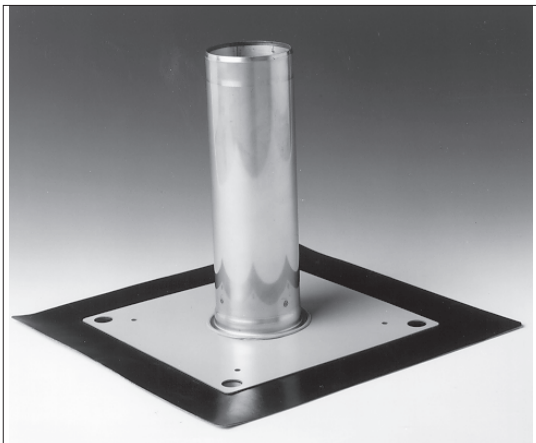
8.0 Jual Rainwater Outlet

Application area: Outlet leading water to downpipe
 Materials: PVC-coated stainless steel + Protan G
 Dimensions: $\varnothing = 50 \text{ mm}$, $h = 250 \text{ mm}$



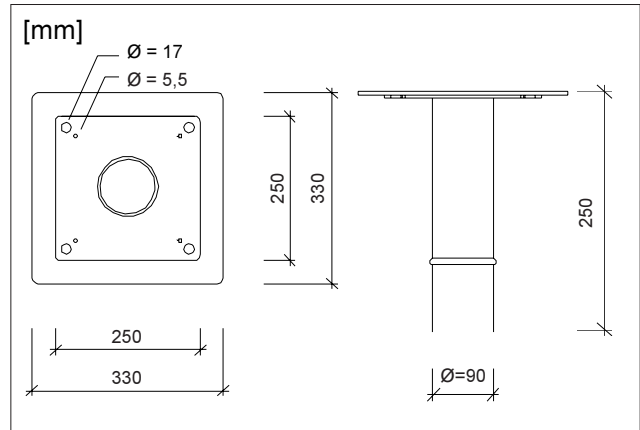
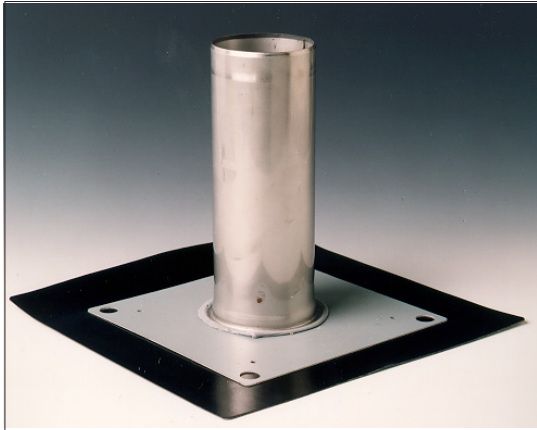
8.1 Jual Rainwater Outlet

Application area: Outlet leading water to downpipe
 Materials: PVC-coated stainless steel + Protan G
 Dimensions: $\varnothing = 75 \text{ mm}$, $h = 250 \text{ mm}$



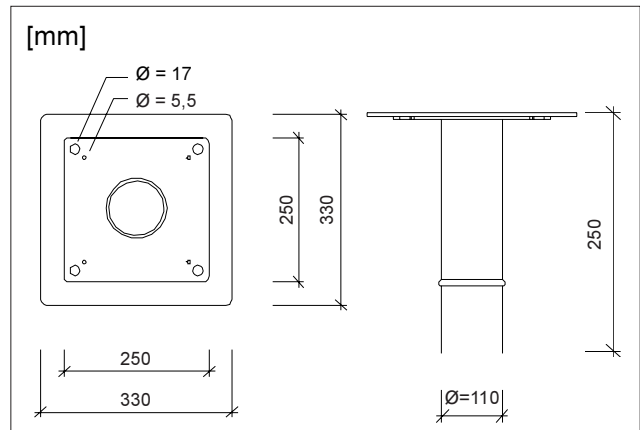
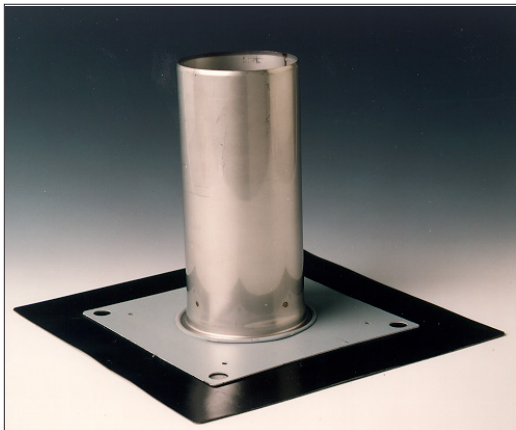
8.2 Jual Rainwater Outlet

Application area: Outlet leading water to downpipe
 Materials: PVC-coated stainless steel + Protan G
 Dimensions: $\varnothing = 90 \text{ mm}$, $h = 250 \text{ mm}$



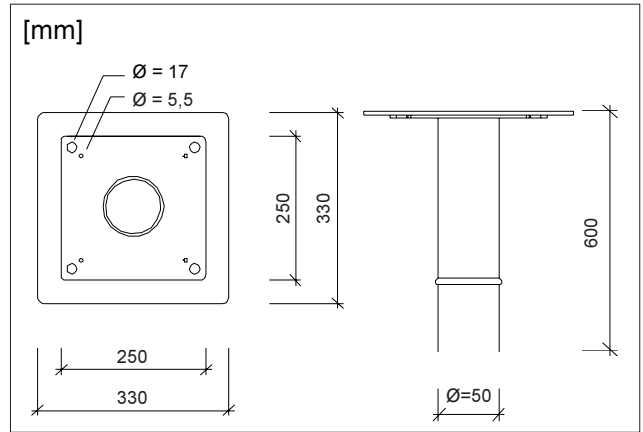
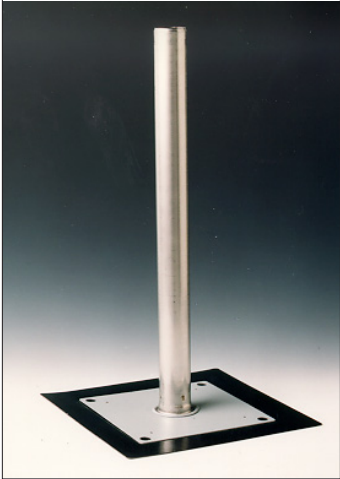
8.3 Jual Rainwater Outlet

Application area: Outlet leading water to downpipe
 Materials: PVC-coated steel stainless + Protan G
 Dimensions: $\varnothing = 110 \text{ mm}$, $h = 250 \text{ mm}$



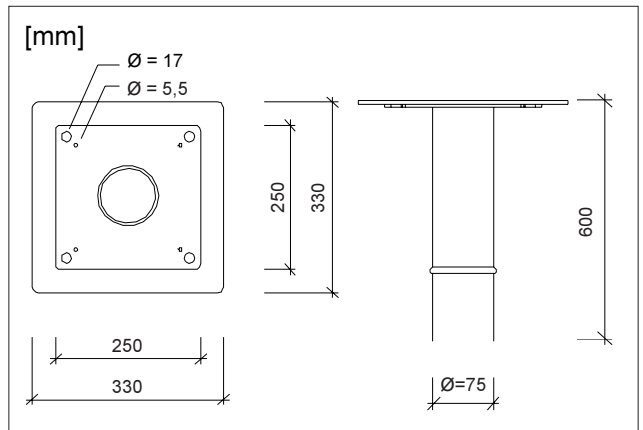
8.4 Jual Rainwater Outlet

Application area: Outlet leading water to downpipe
 Materials: PVC-coated stainless steel + Protan G
 Dimensions: $\varnothing = 50 \text{ mm}$, $h = 600 \text{ mm}$



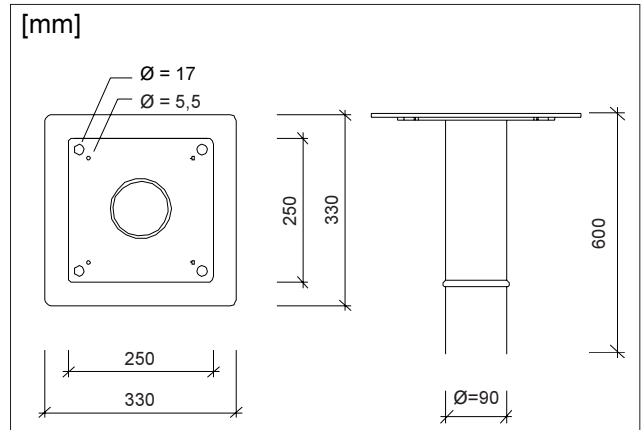
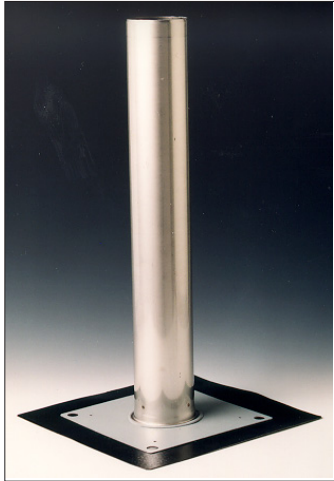
8.5 Jual Rainwater Outlet

Application area: Outlet leading water to downpipe
 Materials: PVC-coated stainless steel + Protan G
 Dimensions: $\varnothing = 75 \text{ mm}$, $h = 600 \text{ mm}$



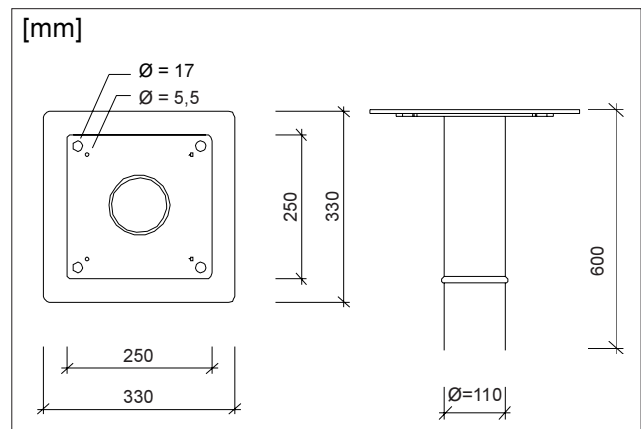
8.6 Jual Rainwater Outlet

Application area: Outlet leading water to downpipe
 Materials: PVC-coated stainless steel + Protan G
 Dimensions: $\varnothing = 90 \text{ mm}$, $h = 600 \text{ mm}$



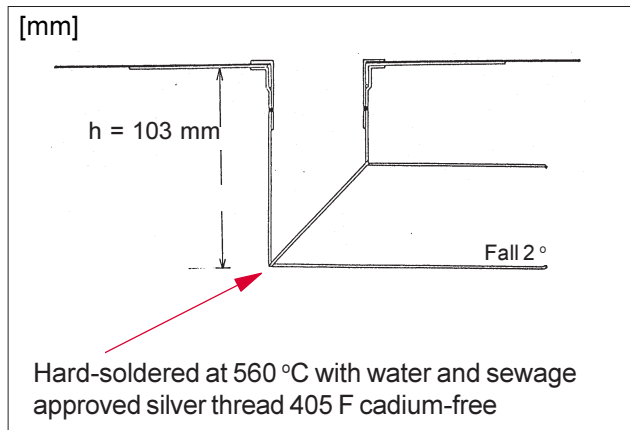
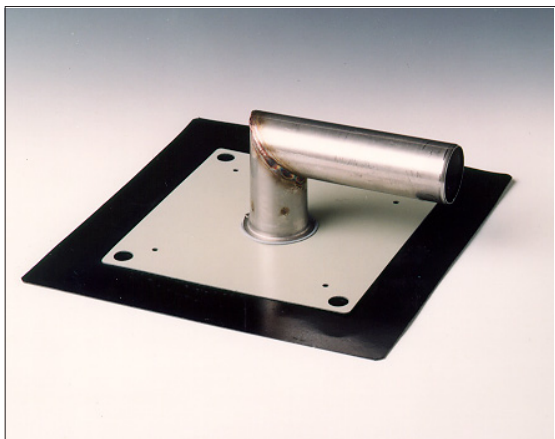
8.7 Jual Rainwater Outlet

Application area: Outlet leading water to downpipe
 Materials: PVC-coated stainless steel + Protan G
 Dimensions: $\varnothing = 110 \text{ mm}$, $h = 600 \text{ mm}$



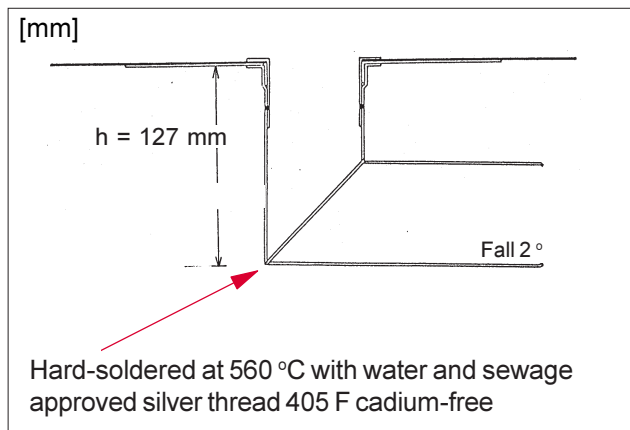
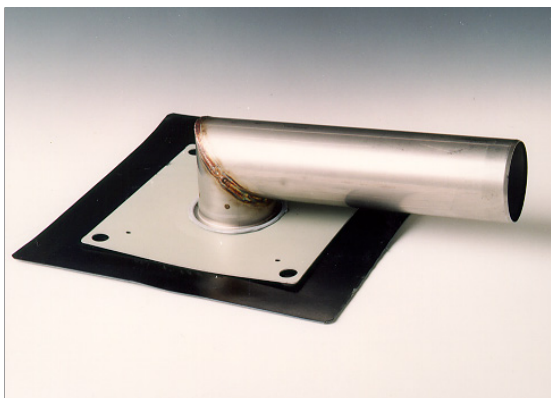
8.8 Jual Rainwater Outlet

Application area: Outlet leading water to downpipe
 Materials: PVC-coated stainless steel + Protan G
 Dimensions: $\varnothing = 50 \text{ mm}$, $h = 103 \text{ mm}$



8.9 Jual Rainwater Outlet

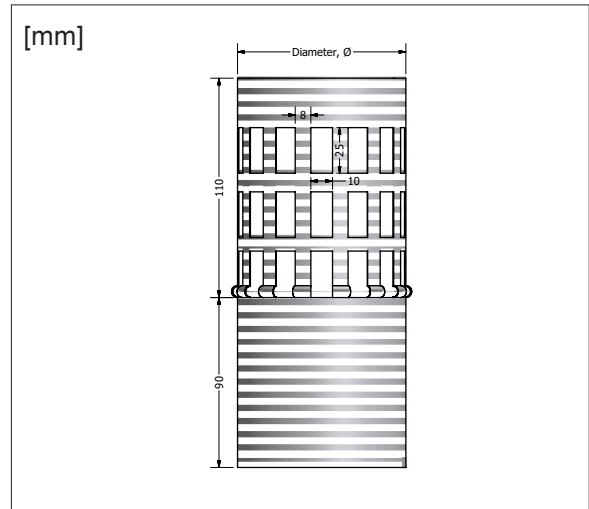
Application area: Outlet leading water to downpipe
 Materials: PVC-coated stainless steel + Protan G
 Dimensions: $\varnothing = 75 \text{ mm}$, $h = 127 \text{ mm}$



Accessories for Rainwater Outlet

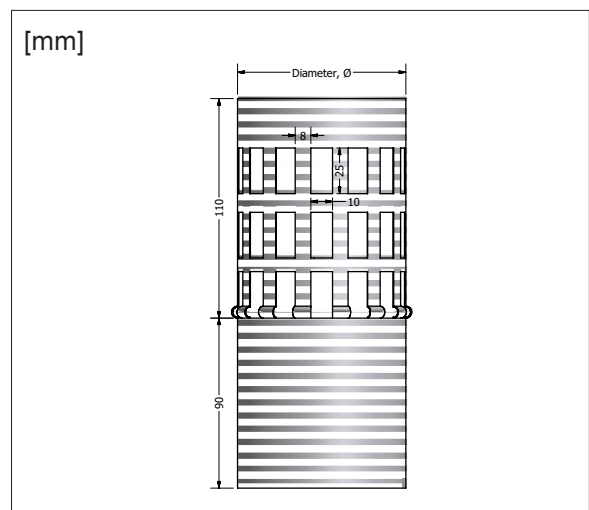
9.0 Jual Cylinder Shaped Leaf Grate - Stainless Steel

Application area: Prevent leaves etc. from entering Rainwater Outlets
 Materials: Stainless Steel
 Dimensions: $\varnothing = 50 \text{ mm}$, $h = 200 \text{ mm}$



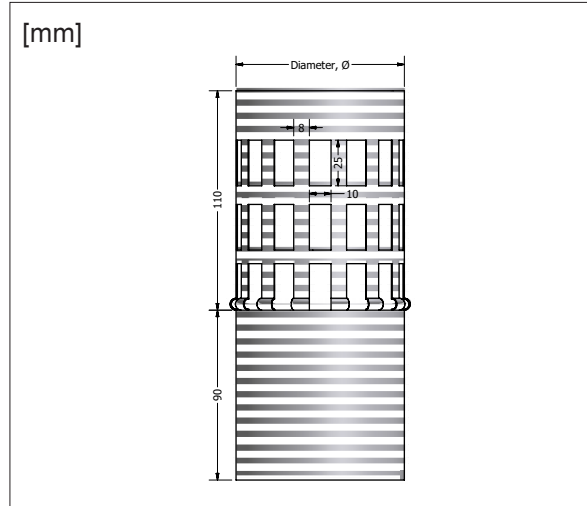
9.1 Jual Cylinder Shaped Leaf Grate - Stainless Steel

Application area: Prevent leaves etc. from entering Rainwater Outlets
 Materials: Stainless Steel
 Dimensions: $\varnothing = 75 \text{ mm}$, $h = 200 \text{ mm}$



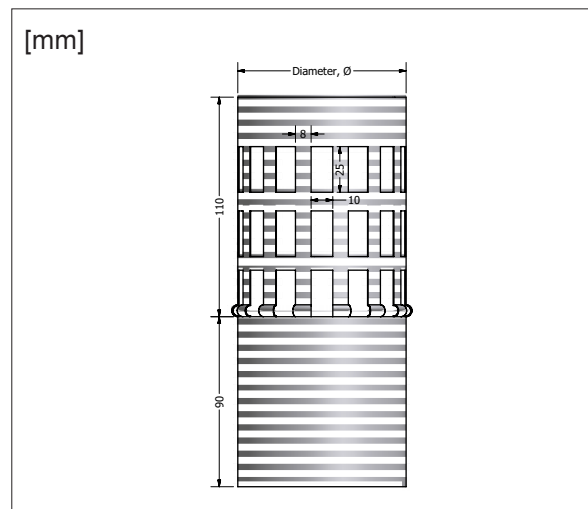
9.2 Jual Cylinder Shaped Leaf Grate - Stainless Steel

Application area: Prevent leaves etc. from entering Rainwater Outlets
 Materials: Stainless Steel
 Dimensions: $\varnothing = 90 \text{ mm}$, $h = 200 \text{ mm}$



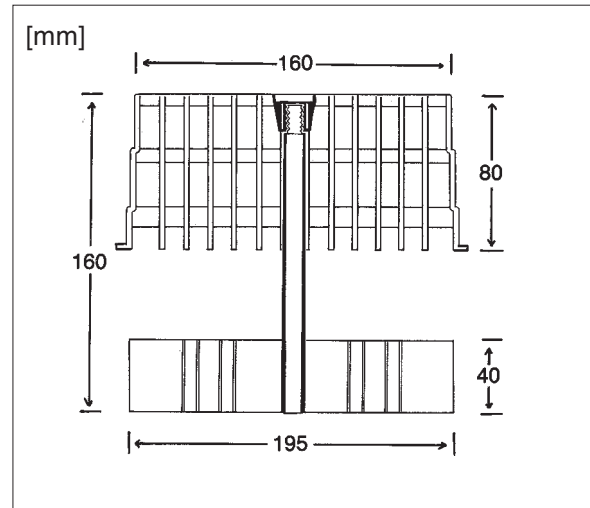
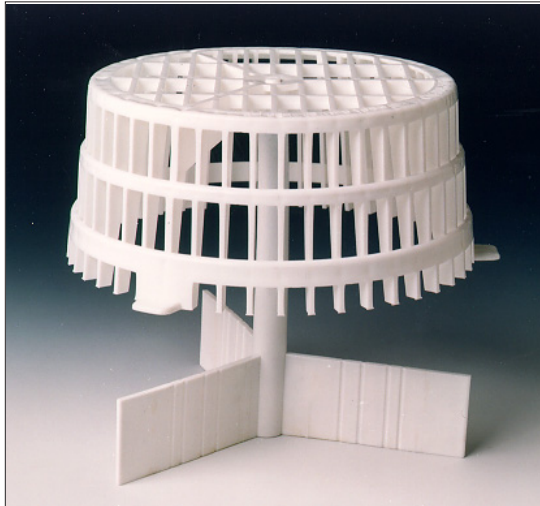
9.3 Jual Cylinder Shaped Leaf Grate - Stainless Steel

Application area: Prevent leaves etc. from entering Rainwater Outlets
 Materials: Stainless Steel
 Dimensions: $\varnothing = 110 \text{ mm}$, $h = 200 \text{ mm}$



9.5 Protan Leaf Grate - Plastic

Application area: Prevent leaves etc. from entering Rainwater Outlets
 Materials: Polypropylene
 Dimensions: $\varnothing = 160 \text{ mm}$, $h = 160 \text{ mm}$



9.6 Protan Terrace Grate - Stainless Steel

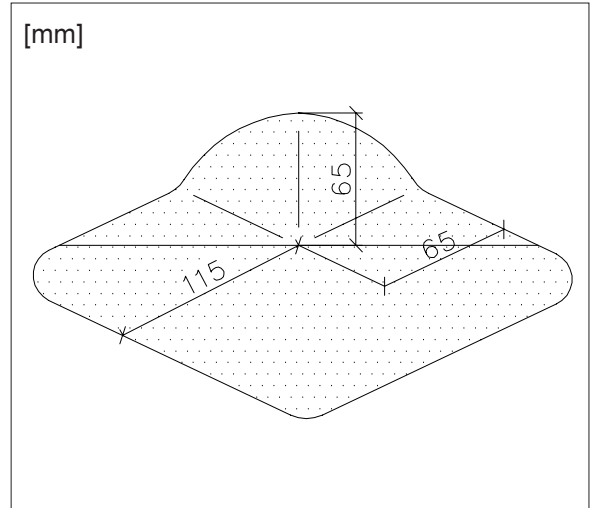
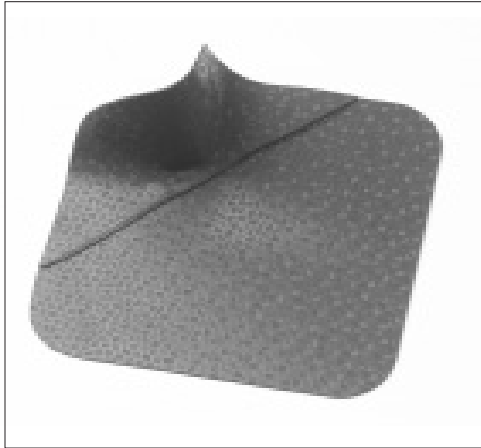
Application area: Protan Terrace/Balcony System
 Materials: Stainless Steel
 Dimensions: $\varnothing = 128 \text{ mm}$, $h = 72 \text{ mm}$



Prefabricated Protan Roofing Corners

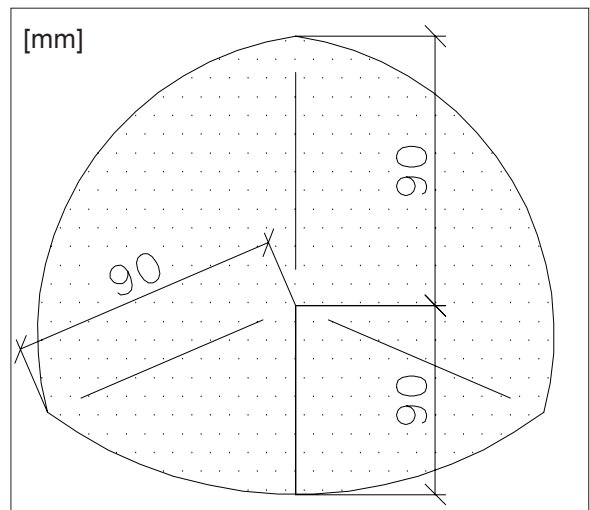
10.0 Protan External Corner

Application area: Outside corners
Material: Protan G



10.1 Protan Internal corner

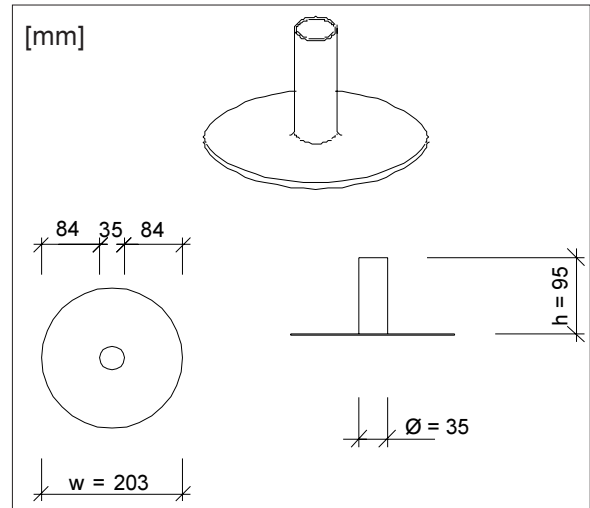
Application area: Inside corners
Material: Protan G



Prefabricated Protan Pipes

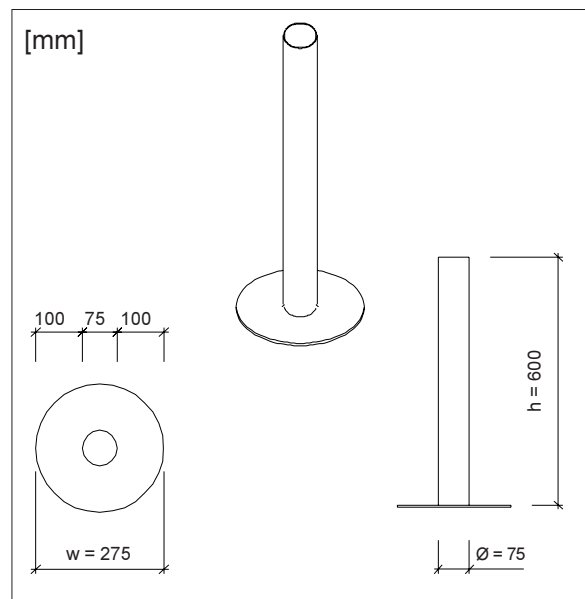
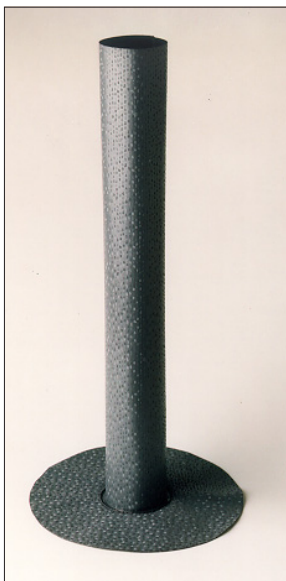
11.0 Protan Pipe, $\varnothing = 35$ mm

Application area: Cover pipes
 Materials: Pipe: Protan G, Flange: Protan SE



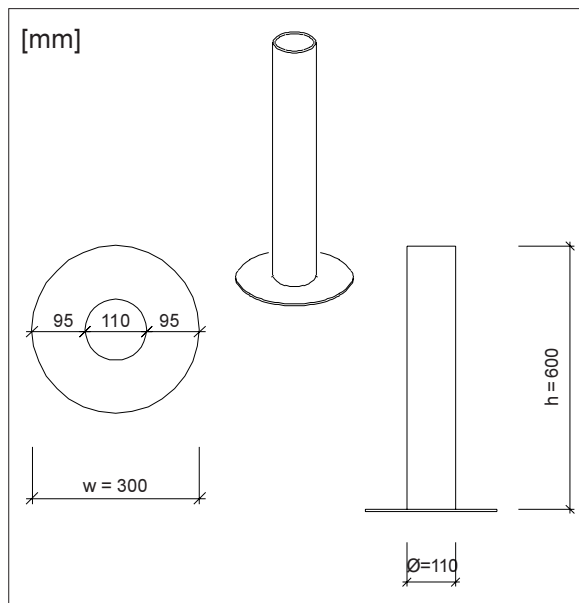
11.1 Protan Pipe, $\varnothing = 75$ mm

Application area: Cover pipes
 Materials: Pipe: Protan G, Flange: Protan SE



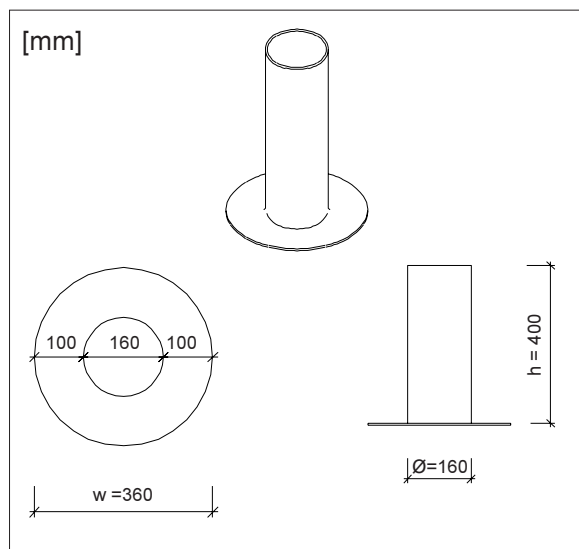
11.2 Protan Pipe, $\varnothing = 110$ mm

Application area: Cover pipes
 Materials: Pipe: Protan G, Flange: Protan SE



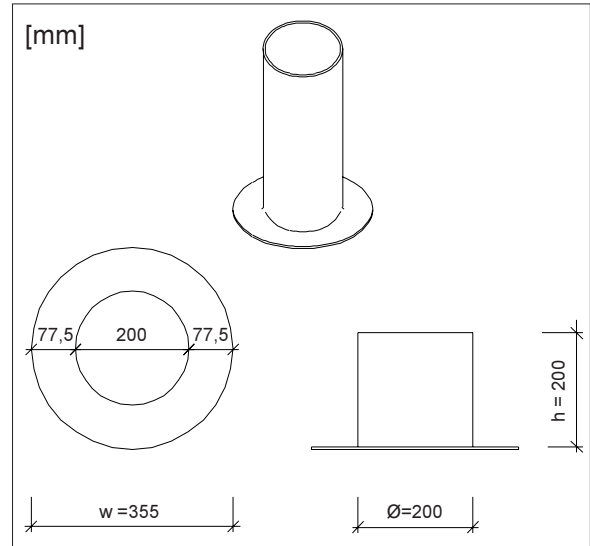
11.3 Protan Pipe, $\varnothing = 160$ mm

Application area: Cover pipes
 Materials: Pipe: Protan G, Flange: Protan SE



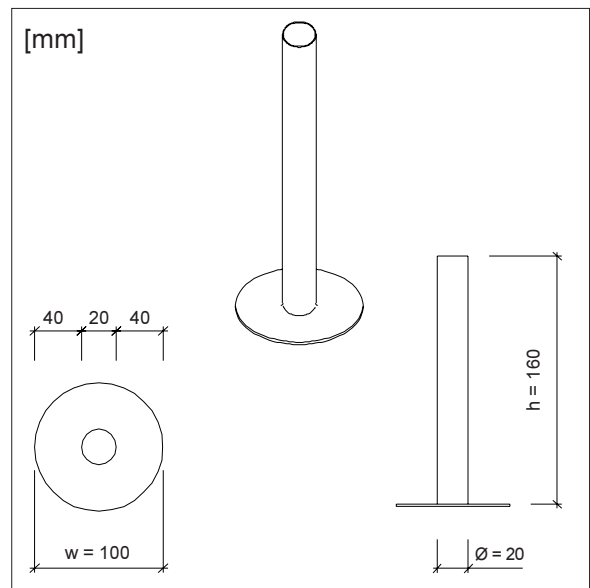
11.4 Protan Pipe, $\varnothing = 200$ mm

Application area: Cover pipes
 Materials: Pipe: Protan G, Flange: Protan SE



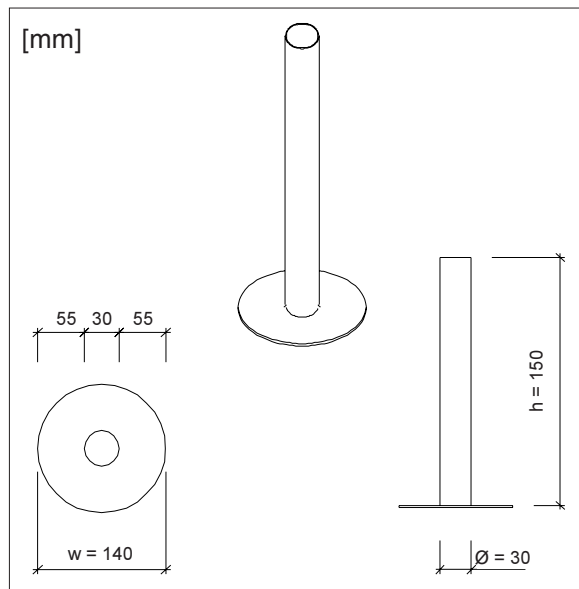
11.5 Protan Pipe, $\varnothing = 20$ mm

Application area: Cover pipes
 Materials: Pipe: Non-reinforced PVC Membrane, Flange: Protan SE



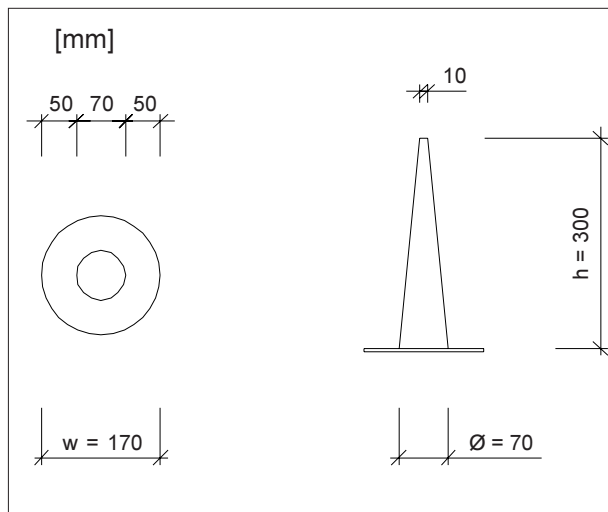
11.6 Protan Pipe, $\varnothing = 30$ mm

Application area: Cover pipes
 Materials: Pipe: Non-reinforced PVC Membrane, Flange: Protan SE



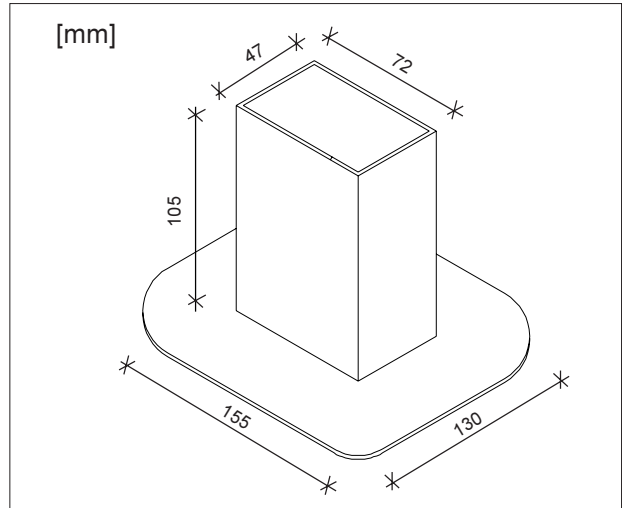
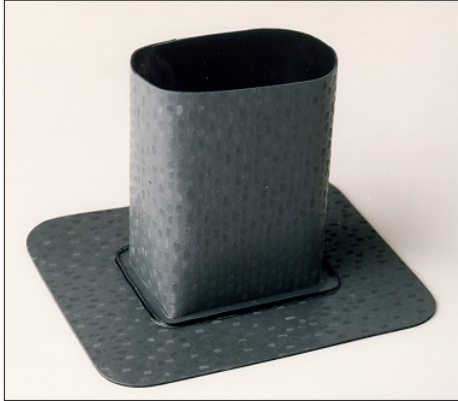
12.0 Protan Prefabricated Cone

Application area: Cover pipes
 Materials: Pipe: Protan SE, Flange: Protan G



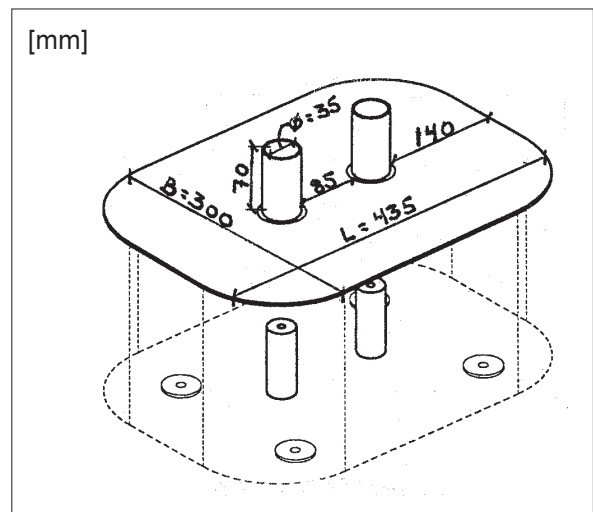
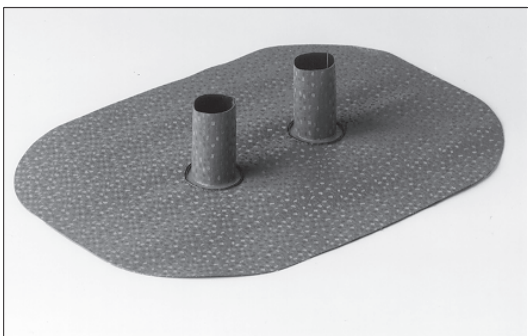
13.0 Prefabricated Protan Rectangular Collar

Application area: Cover newels
 Materials: Protan GT



14.0 Prefabricated Protan Snow Guard

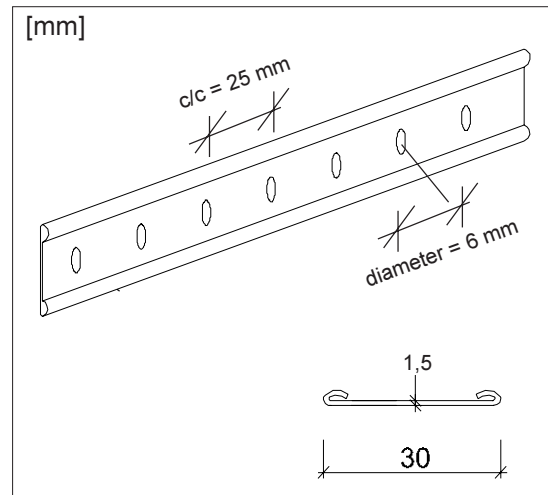
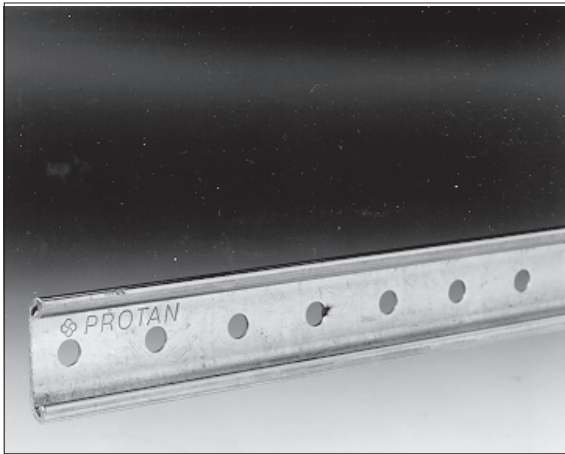
Application area: Cover Snow Guard (Lindab) for externally insulated roofs
 Materials: Pipe: Protan GT, Flange: Protan SE



Protan Steel Bar

15.0 Protan Steel Bar

Application area: Mechanically fastening of Protan Roofing Membrane
Materials: Steel, W = 225 MPa
Dimensions: Lengths of 1,95 m



Protan Quality Inspection Patch

16.0 Protan SE

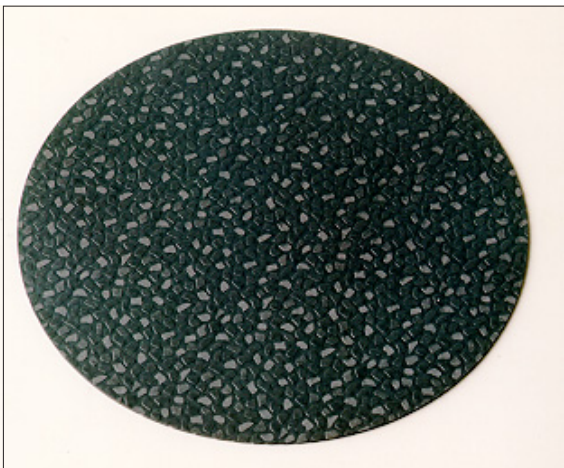
Application area: Indicates that the welded seam has been quality inspected
Materials: Protan SE
Dimensions: $\varnothing = 180$ mm



Protan Welding Patch

16.1 Protan SE

Application area: Membranes, repairs, patching small holes
Materials: Protan SE
Dimensions: $\varnothing = 110$ mm and 180 mm



17.0 Protan Seam Probe



For further details and information about the products, please contact Protan Export Department.

Appendix



Protan AS

P. O. Box 420 Brakerøya - N-3002 Drammen - Norway

Telephone +47 32 22 16 00 - Fax +47 32 22 17 00

www.protan.com

The information in this Appendix is believed to be accurate. Protan AS does not accept responsibility or liability for any errors or omissions, or for any consequences resulting therefrom.