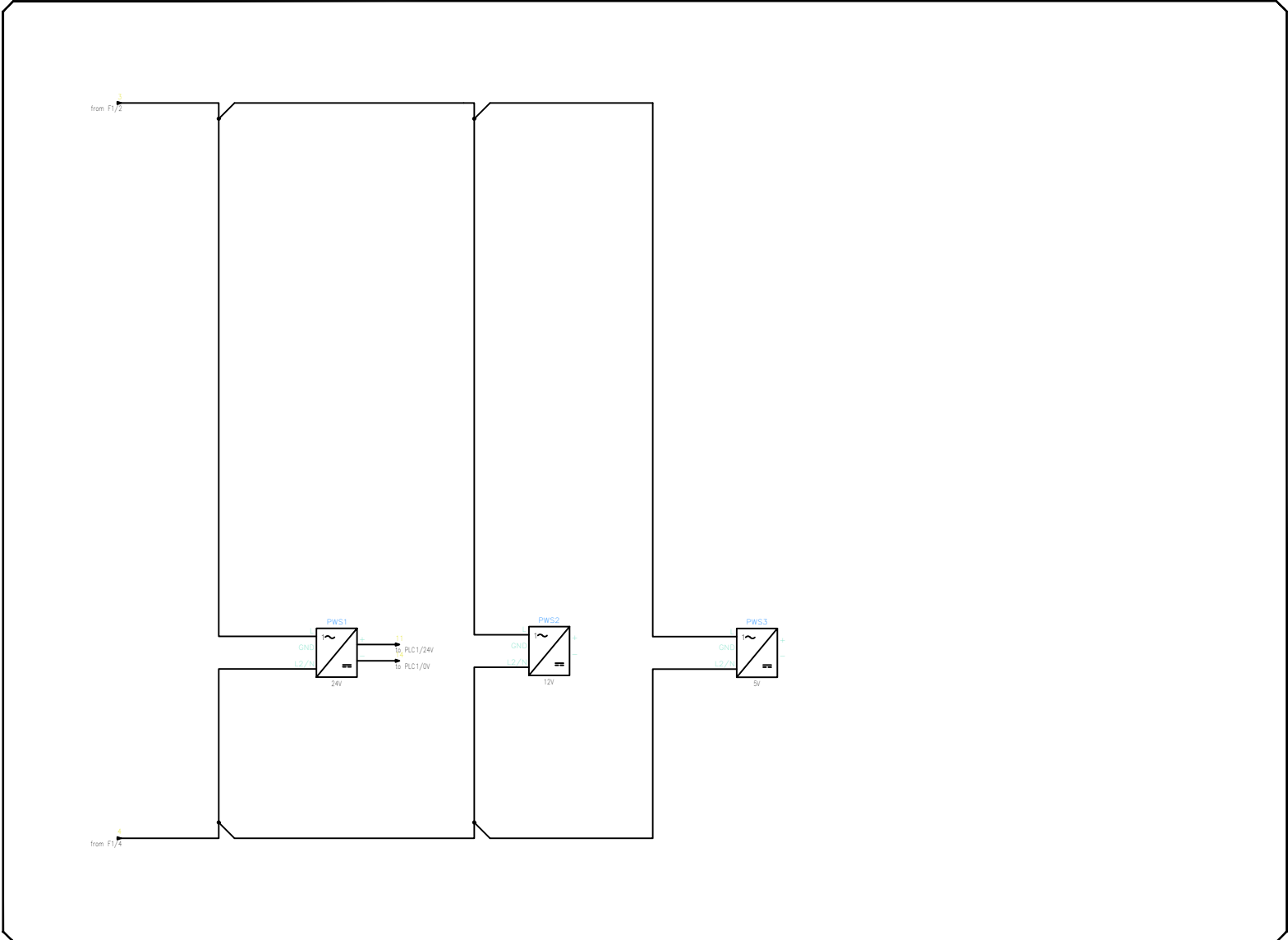


	DATE	DESCRIPTION

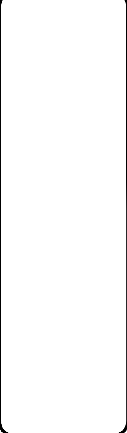
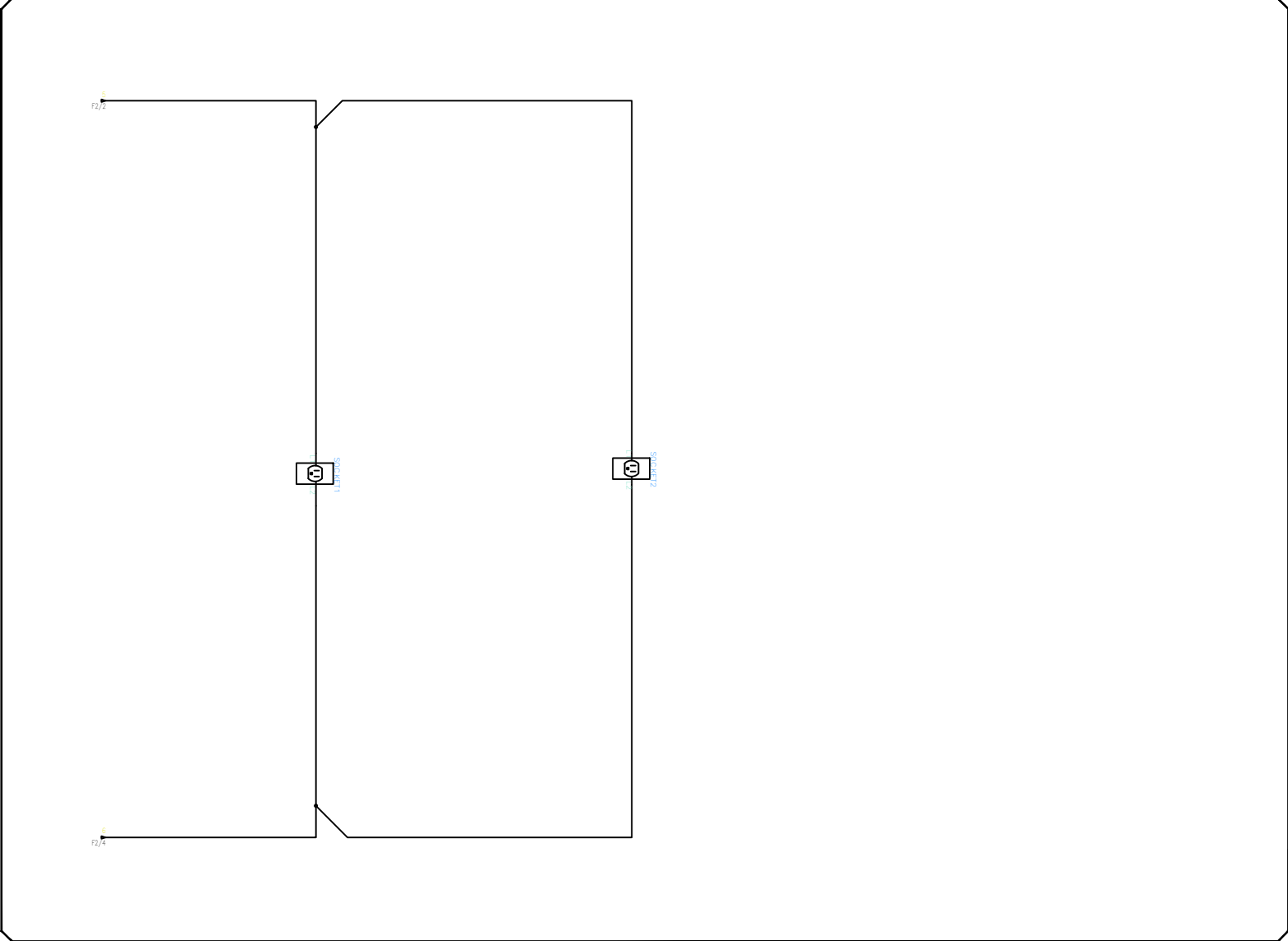
PROJECT:	Checked by:
SIERRA M	SIERRA M
REV. NO.	DRAWING NO.
	SIERRA M
SHEET NO.	

\\P01DEV01\c\users\sierram\documents - huan\autodesk\l1\l2\STARTED_DWG_SPECS\DWG_SPECS.dwg



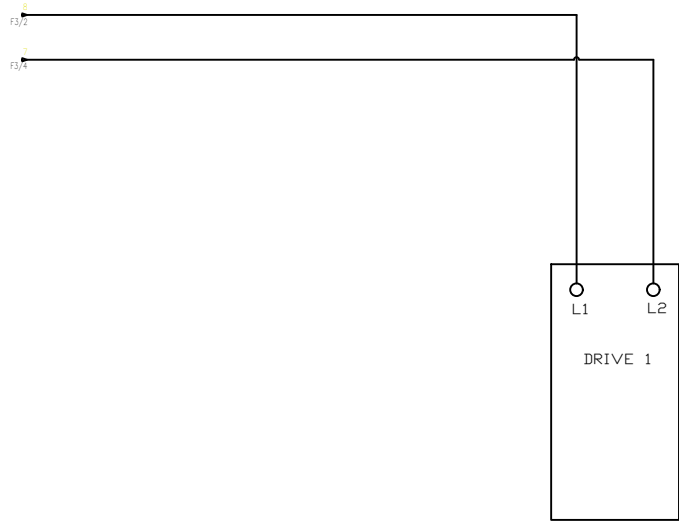
Revision		Date	Author

Autodesk reserves the right to change the specifications of any product without notice.



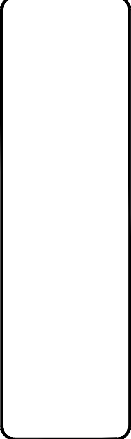
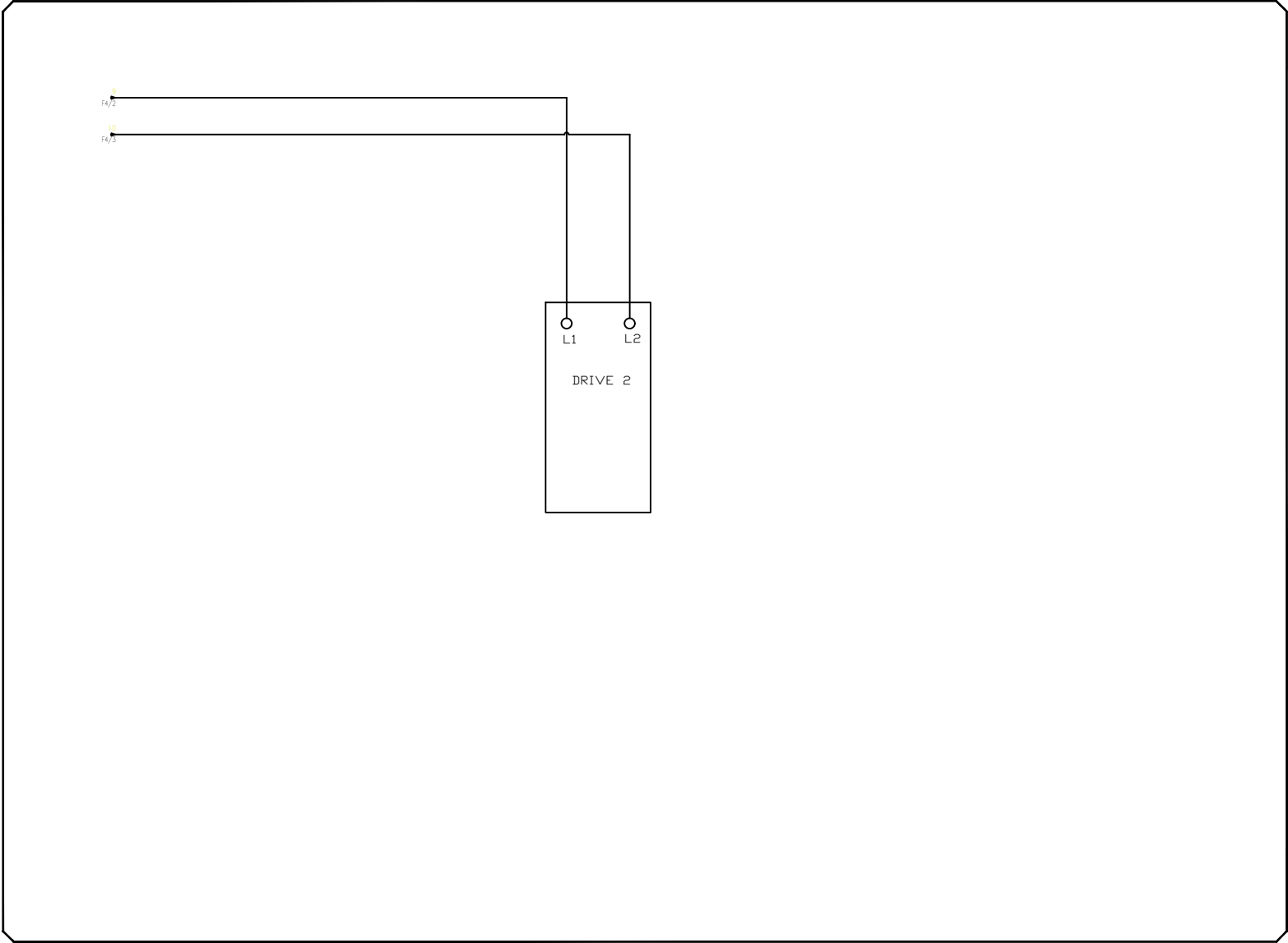
Project	Sheet #	Sheet #
Rev	Rev	Rev
Date	Date	Date
Author	Author	Author
Checker	Checker	Checker
Appr	Appr	Appr
Scale	Scale	Scale
Notes	Notes	Notes
3 OF 13		

<https://www.autodesk.com/privacy-policy>



REV	DATE	BY	CHKD

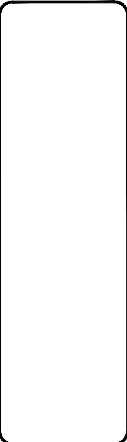
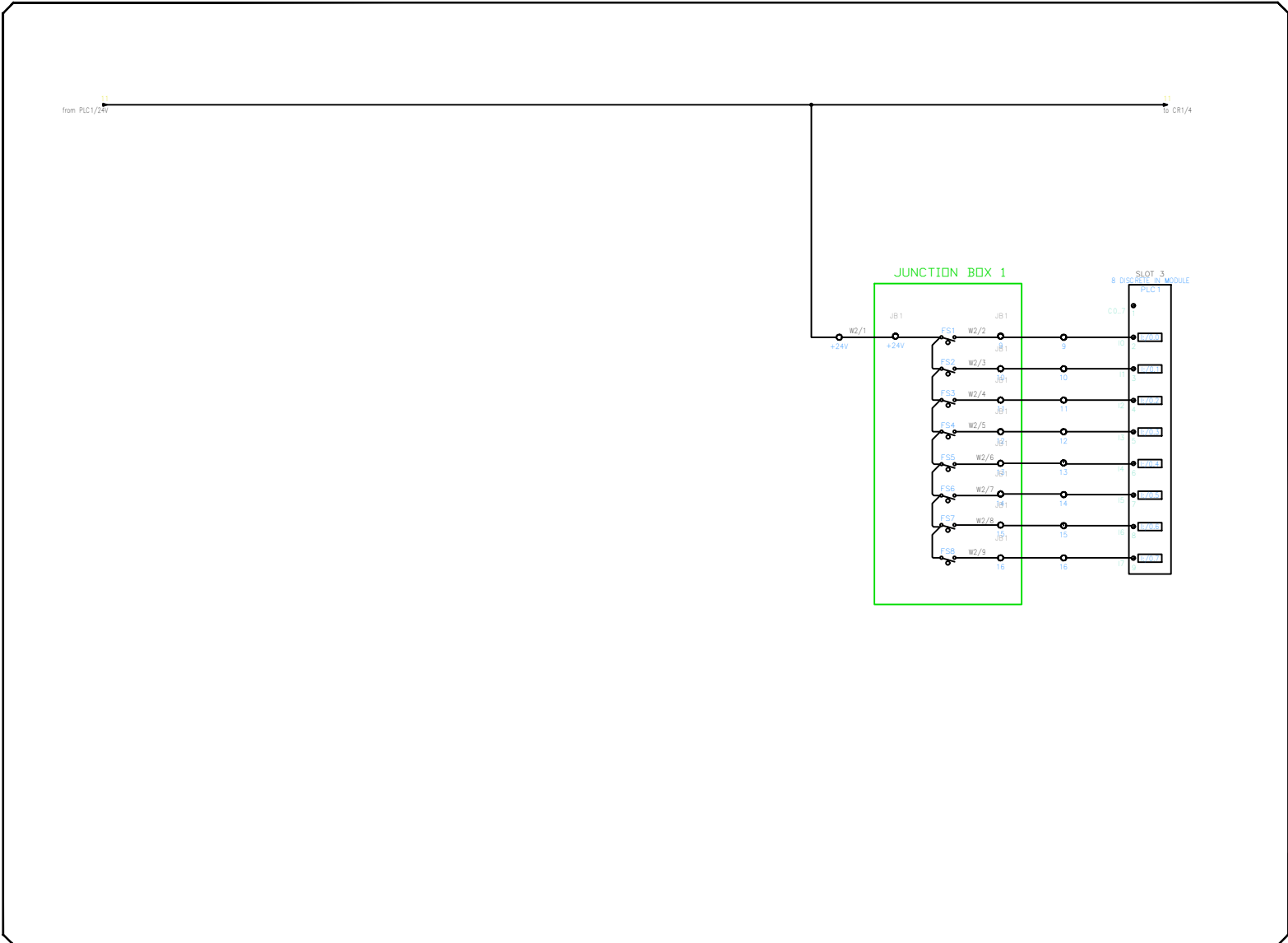




REV	DATE	DESCRIPTION

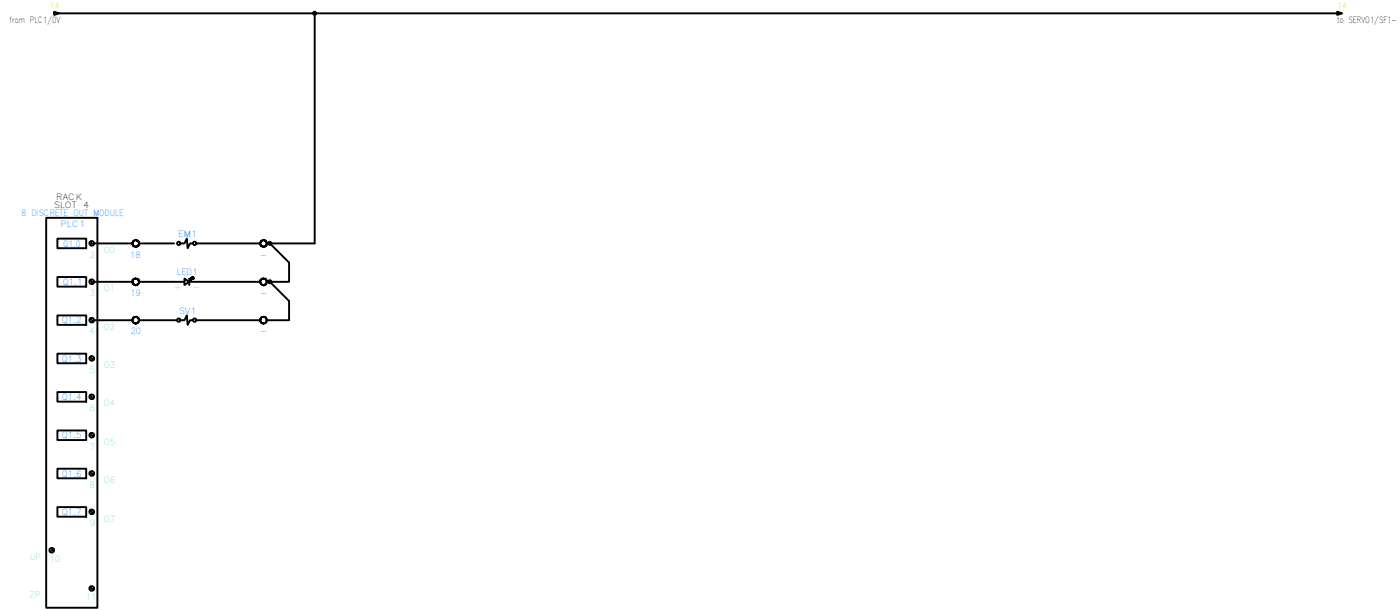
NO.	DESCRIPTION	REV

NO.	DESCRIPTION	REV

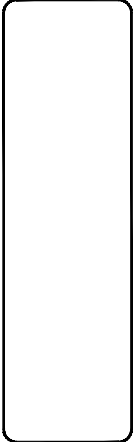
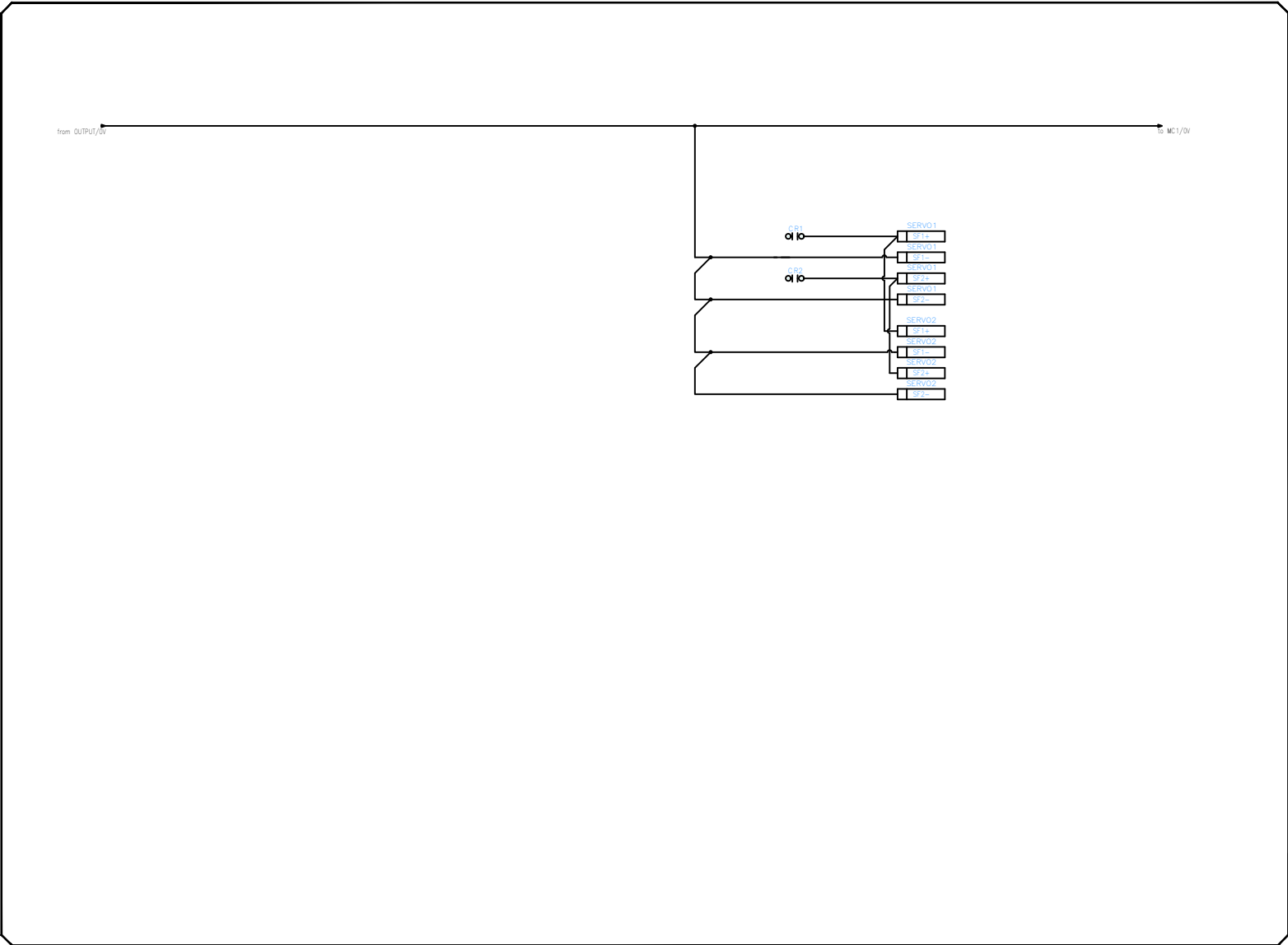


REV	DESCRIPTION	DATE

Autodesk, AutoCAD, Revit, Inventor, and other Autodesk software names are trademarks of Autodesk, Inc. © 2013 Autodesk, Inc. All rights reserved.



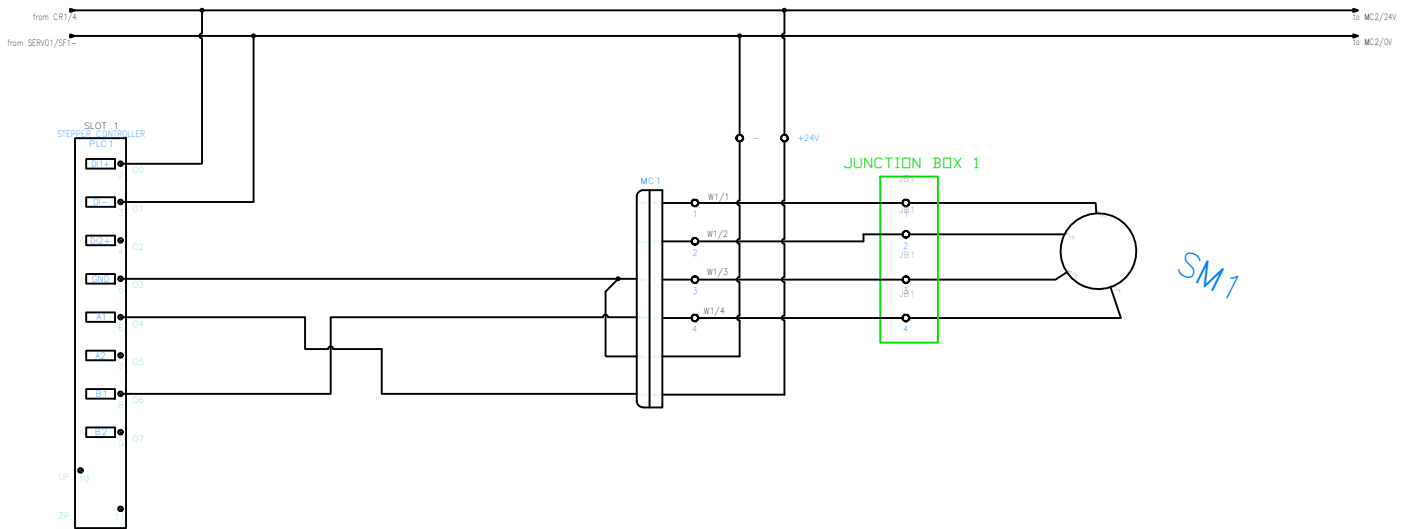
Rev	By	Appr	Date



REV			
REV			
REV			
REV			
REV			
REV			
REV			
REV			
REV			
REV			
REV			
REV			

Project	Drawn by	Checked by
Drawn	Drawn #	Checked #
File	Drawn	Checked
Date	Drawn #	Checked #

Autodesk - Autodesk Inventor (assembly) - ... - http://www.autodesk.com/support/forums/new-forums/thread/515131



Autodesk

NO.	REV.	DATE	BY	CHKD.

PROJECT:		
DRAWING NO.:		
TITLE:		
DATE:		
DRAWN BY:		
CHECKED BY:		

